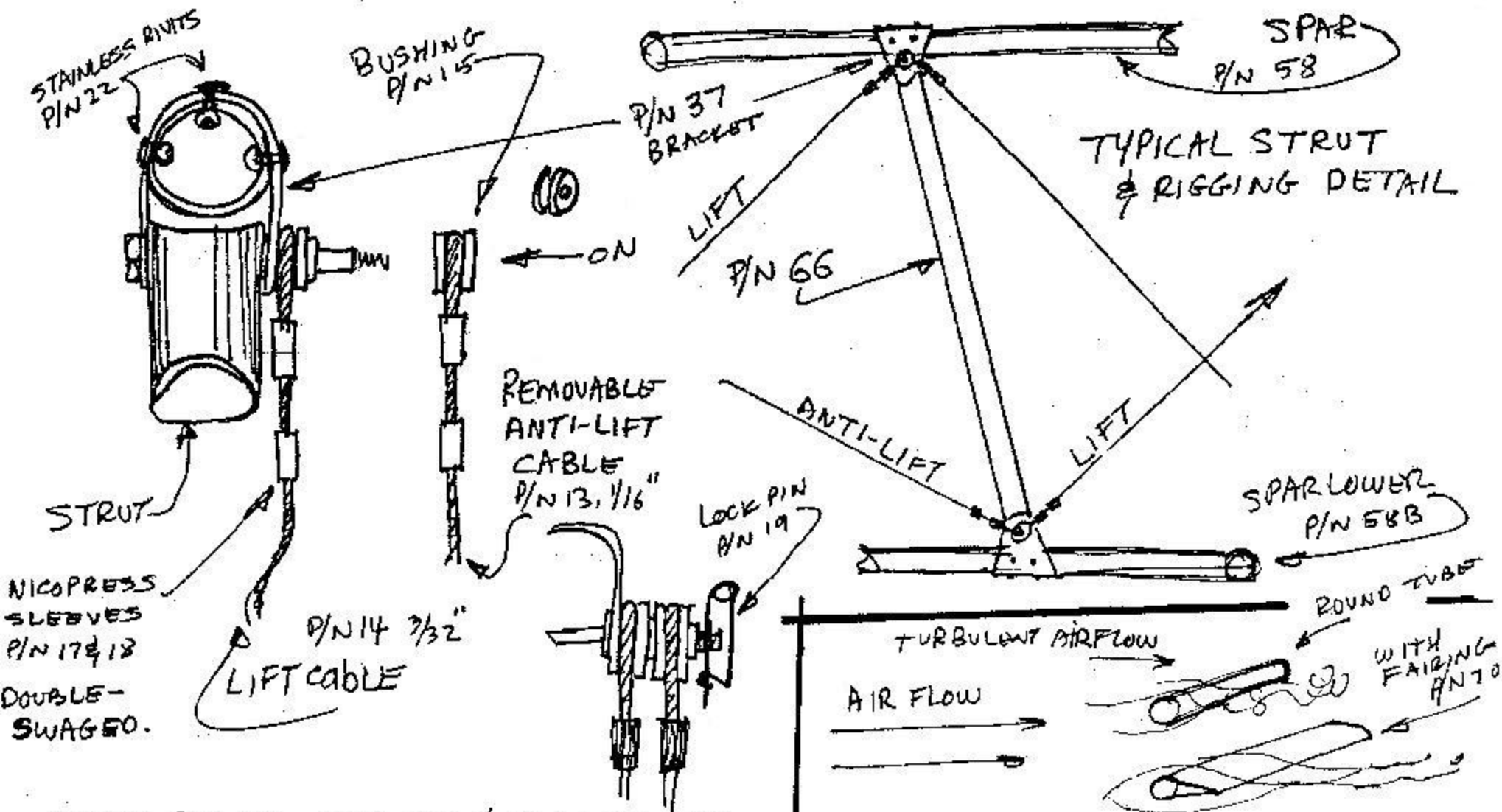


STRUTS AND RIGGING



EASY RISER STRUTS & RIGGING ARE VERY RUGGED & RELIABLE. REMOVE FOUR ANTI-LIFT WIRE PINS AND 4 BOLTS, AND THE WING FOLDS FOR STORAGE.

[AN EASY RISER WAS ASSEMBLED IN THE FIELD BY ONE MAN IN 3 MINUTES 14 SECONDS.]

DRAG COEFFICIENT C_d

ROUND = 1.2

FAIRED = .6

TOTAL STRUT DRAG AREA IS 24 ft^2

$\therefore C_dA$ IS REDUCED FROM $4 \times 1.2 = 4.8$

TO 2.4.

AERODYNAMICS

at 24 MPH, DRAG IS REDUCED FROM 7.2 POUNDS TO 3.6 POUNDS BY USING FAIRINGS.